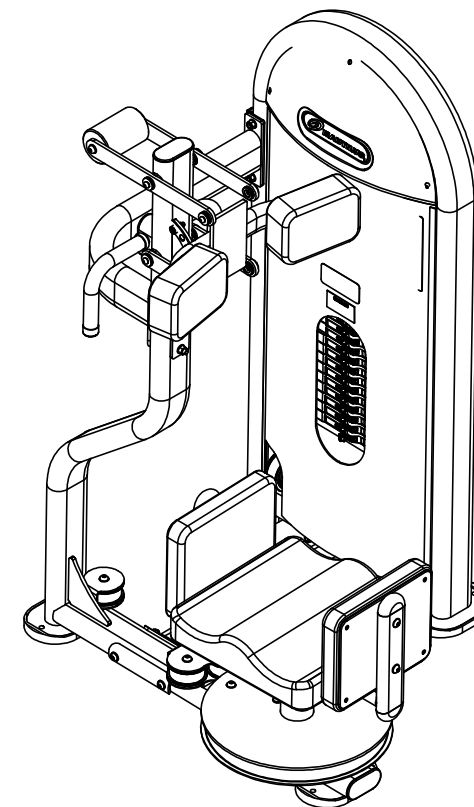
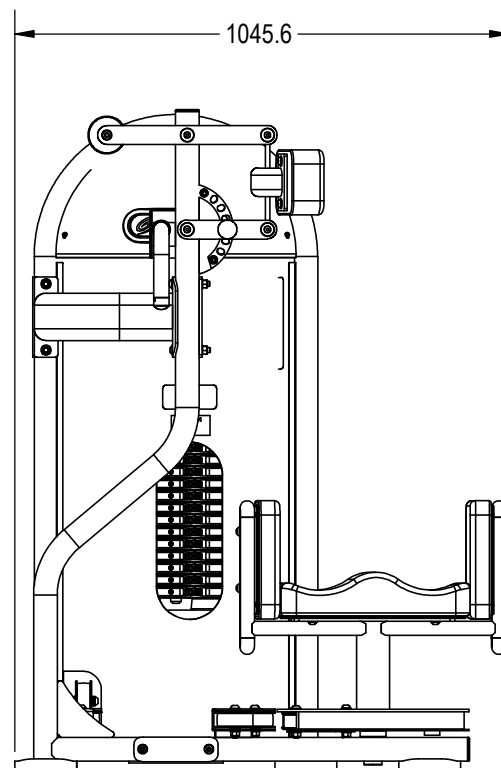
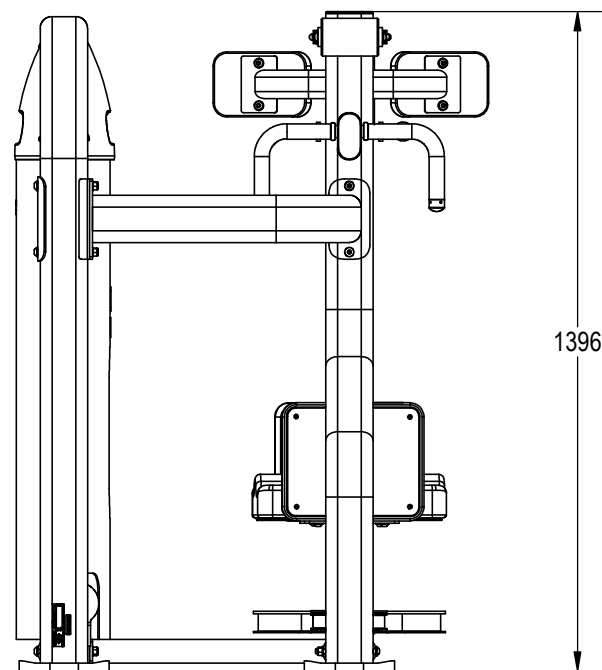
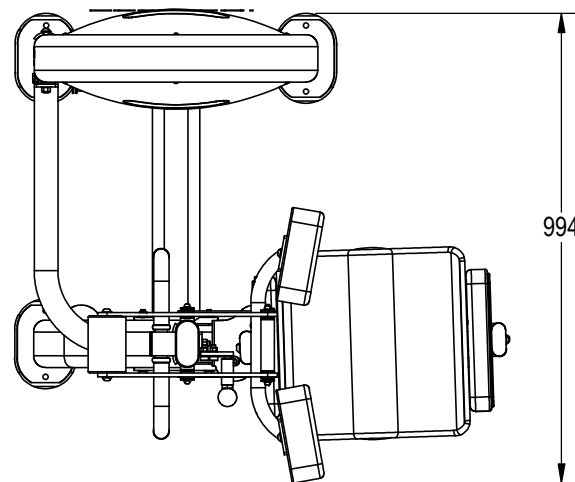


NOTES:

1. ASSEMBLE AND INSPECT PER SOP 620-7918..
2. INSTALL Kg STICKER AND AFFIX Lb STICKER TO INSIDE OF SHROUD WITH TAPE.
3. COLOR DICTATED BY THE SALES ORDER. REFERENCE THE MACHINES BOM FOR COMPONENTS CONTAINING -XX, -00XX AND -XXXXX.
  - a. COLOR: -XX COLOR DESIGNATOR AS SPECIFIED IN SOP 620-8222.
  - b. THE -XX CAN RESULT IN ONE COLOR FOR THE METAL SHROUD AND A DIFFERENT COLOR FOR THE METAL FRAME ALSO WITH A -XX LISTED ON THE BOM.
  - c. THE -00XX IS THE COLOR DESIGNATOR FOR UPHOLSTERY. THE 5TH DESIGNATOR: "X" WITHIN -XXXXX DEFINES THE HEAD STRAP OR CUSTOM PRODUCTS BRAND. THIS IS SPECIFIED ON SALES ORDERS.
  - d. THE -XXXXX IS CREATED BY COMBINING THE -XX, -00XX AND THE 5TH DESIGNATOR.
  - e. ALL X'S SHOULD BE DEFINED ON THE SALES ORDER.

REVISIONS HISTORY				
REV.	DATE	DESCRIPTION	ECO	BY
A	8/8/2016	INITIAL RELEASE	15483	AM



**DOCUMENT STATUS:**

NOTICE OF PROPRIETARY INFORMATION  
THIS DOCUMENT SHALL NOT BE REPRODUCED NOR SHALL THE INFORMATION CONTAINED HEREIN BE USED BY OR DISCLOSED TO OTHER EXCEPT AS EXPRESSLY AUTHORIZED BY CORE HEALTH & FITNESS, LLC.

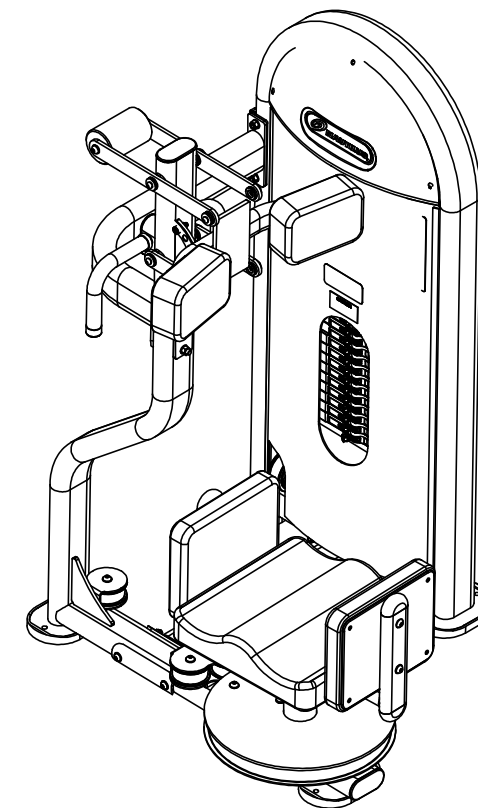
CLASS OF WORK	UNLESS OTHERWISE SPECIFIED DIMS ARE IN mm. TOLERANCES FOR MEASURE OF LENGTH ARE:							ANGLES = ±2°		
	0.5 to 3	> 3 to 6	> 6 to 30	> 30 to 120	> 120 to 400	> 400 to 1000	> 1000 to 2000	> 2000		
FINE	±0.05	±0.05	±0.1	±0.15	±0.2	±0.3	±0.5	----		
MEDIUM <b>X</b>	±0.1	±0.1	±0.2	±0.3	±0.5	±0.8	±1.2	±2		
COARSE	±0.2	±0.3	±0.5	±0.8	±1.2	±2	±3	±4		
VERY COARSE	----	±0.5	±1	±1.5	±2.5	±4	±6	±8		

<b>MATERIAL</b> SEE BOM	
<b>FINISH</b> SEE NOTES	
<b>VENDOR:</b> N/A	<b>P/N:</b> N/A

THIRD ANGLE PROJECTION		
DRAWN	INITIAL AM	DATE 8/8/16
CHECKED		
APPROVED		
	U.O.M.	MM

<b>CORE HEALTH &amp; FITNESS, LLC</b> 4400 NE 77th Ave., Suite 300 Vancouver, WA 98662		
CORE PART NO	REV	
<b>NL-S6300-29AGS</b>	<b>A</b>	
TITLE NL,SSS,ROTARY TORSO,LNL		
SCALE: 1:20	SHEET 1 OF 3	SHEET SIZE: B

9		8		7		6		5		4		3		2		1	
	ITEM NO.	PART NUMBER	DESCRIPTION	QTY.		ITEM NO.	PART NUMBER	DESCRIPTION	QTY.								
J	1	050-5457	Label, S/N, Non-Powered, Primary, Core H&F	1		46	730-1097	BUSHING,FLANGE,M17X18	8								J
	2	730-0199	CAP,TUBE,IN-7200	3		47	730-1103	NUT,M8,NYLON PATCH,SS	2								
	3	730-0216	PAD,FOOT,FRAME,WELDED	4		48	730-1104	NUT,M10,NYLON PATCH,SS	17								
	4	730-0233	SHROUD,REAR,IN-S5100	1		49	730-1109	SCREW,M10X80,BH,SS	2								
I	5	730-0236	PIN, BELT ANCHOR	2		50	730-1112	SCREW, M10x130, BH, SS	6								I
	6	730-0237	SCREW, M10x30, SHS,SS	2		51	730-1118	SCREW, M10, BHC, HK, SS	2								
	7	730-0292	CAP, ARMS, IN-S2100	4		52	730-1119	SCREW, M10x35, BH, SS	8								
	8	730-0309	PAD,BACK SUPPORT,IN-S6300	2		53	730-1122	SCREW,M10X63,BHC,SS	15								
H	9	730-0323	ASSY,SPRING PIN,IN-S6300	1		54	730-1138	SCREW,M8X20,BHC,SS	14								H
	10	730-0324	PAD,KNEEL,IN-D6300	1		55	730-1155	SCREW, 10-32X3.2, SET	4								
	11	730-0325	PAD,SIDE LEGS, IN-S6300	2		56	730-1337	SHROUD,LNL,S6300	1								
	12	730-0384	LOGO,INSTINCT	1		57	730-1399	WSA-LNL,180LB,15H	1								
	13	730-0385	LABEL,CAUTION,PINCH POINT	1		58	730-1448	BUMPER, STACK, 25.4MM	2								
G	14	730-0565	CAP, END, HANDLE	2		59	730-1491	LABEL,INSTRUCTIONS,LOCK N LOAD	1								G
	15	730-0663	PULLEY 52MM	2		60	730-7333-XXX	STICKER, PLACARD, INSTRUCTION, LLRT, NAUT.	1								
	16	730-0679	BUMPER,SHS,M10,RUBBER,STOPPER	2		61	731-0335	STICKER, MADE IN CHINA, IP	1								
	17	730-0702	SHROUD,UPPER	2		62	731-7311	STICKER,NAUTILUS,DECO,45MMX191MM	2								
	18	730-0704	CAP, 25MM, ALUMINUM	2													
F	19	730-0721	PULLEY, 75MM	6													F
	20	730-0769	WEIGHT STACK,FRAME	1													
	21	730-0770	ASSY,MAIN FRAME	1													
	22	730-0771	CROSSBEAM,UPPER,FRAME	1													
E	23	730-0772	ASSY,ROTARY,SEAT,FRAME	1													E
	24	730-0773	BELT,RETAINER,BRACKET	1													
	25	730-0774	FRAME,FIX,CHEST,PAD,BRACKET	1													
	26	730-0775	CROSSBEAM,LOWER,FRAME	1													
	27	730-0778	BELT	1													
D	28	730-0780	WEIGHT STACK, GUIDE ROD, S6300	2													D
	29	730-0845	SHROUD,MOUNTING,U-STYLE,CLIP	6													
	30	730-0878	WASHER,8M,FENDER,FLAT,SS	8													
	31	730-0880	BALL BREARING,25MM ID,42MM OD	1													
	32	730-0882	BREARING,30MM ID,55MMOD	1													
C	33	730-0890	SCREW,M8X25,SHS,SS	2													C
	34	730-0903	RETAINING,SNAP,RING,24MM ID,30MM OD	1													
	35	730-0905	WASHER,M8,SPLIT,LOCK,SS	8													
	36	730-0907	WASHER,M10,SPLIT,LOCK,SS	5													
	37	730-0908	WASHER,M10,FLAT,SS	50													
	38	730-0910	WASHER,M8,BELLEVILLE,SS	8													
B	39	730-1088	ASSY,CHEST,PAD,BRACE	2													B
	40	730-1089	ASSY,CHEST,PAD,PULL ADJUSTMENT,BRACE	1													
	41	730-1090	ASSY,CHEST,PAD,SMALL,BRACE	1													
	42	730-1091	PAD,BUMPER,SLEEVE,M32X45	1													
	43	730-1092	RUBBER,HANDLE,GRIP,SLEEVE	2													
A	44	730-1093	COUNTER BALANCE	1													A
	45	730-1094	PLATE,ROM,STOPPER,IN-S6300	1													

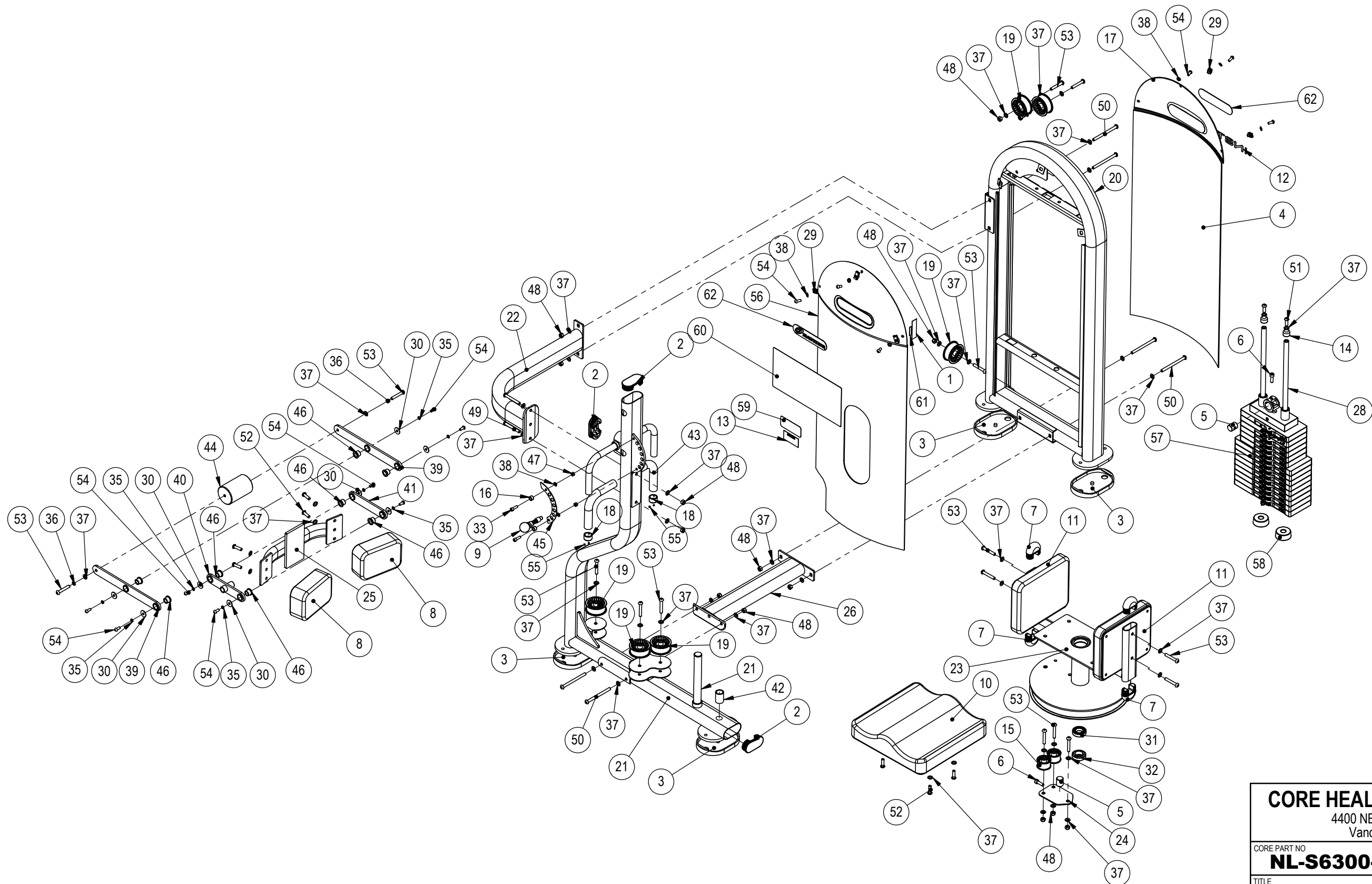


**CORE HEALTH & FITNESS, LLC**  
4400 NE 77th Ave., Suite 300  
Vancouver, WA 98662

CORE PART NO. **NL-S6300-29AGS** REV **A**

TITLE  
**NL,SSS,ROTARY TORSO,LNL**

SCALE: 1:20 SHEET 2 OF 3 SHEET SIZE: B



<b>CORE HEALTH &amp; FITNESS, LLC</b>		
4400 NE 77th Ave., Suite 300 Vancouver, WA 98662		
CORE PART NO	<b>NL-S6300-29AGS</b>	REV <b>A</b>
TITLE NL,SSS,ROTARY TORSO,LNL		
SCALE: 1:20	SHEET 3 OF 3	SHEET SIZE: B